

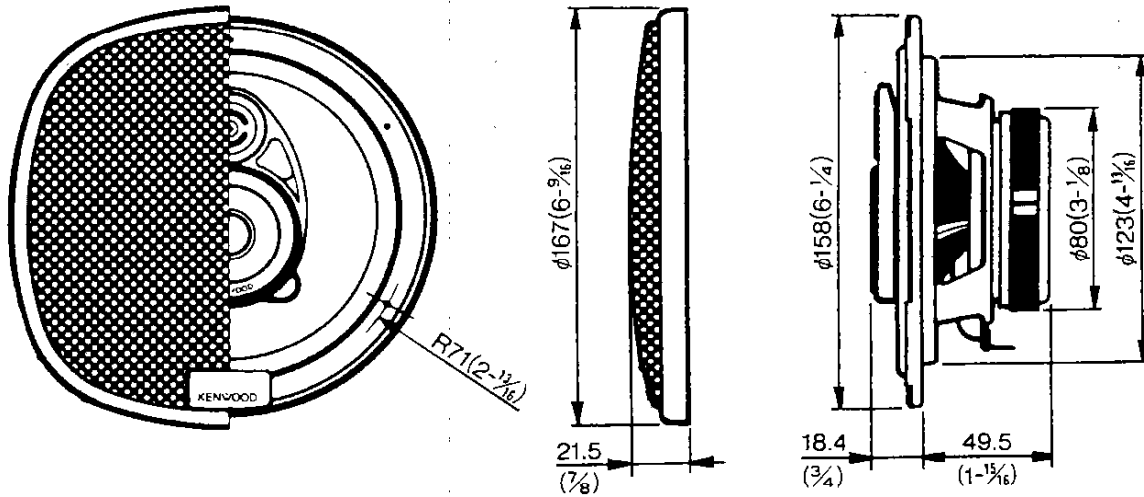
# KFC-1683

## SERVICE MANUAL

# KENWOOD

© 1990-10 PRINTED IN JAPAN  
B51-6235-00 (O) 1430

### EXTERNAL VIEW



UNIT : mm (inch)




### SPECIFICATIONS

#### Speakers

Woofer .....	16cm (6in) Water Proof Cone type
	189g (6.7oz) Magnet
Mid-Range .....	5cm (2in) Cone type
Tweeter .....	1.4cm (9/16in) Ceramic
Peak Power .....	120 Watts
Frequency Response .....	45Hz~21,000Hz
Sensitivity .....	90dB/W at 1m
Impedance .....	4 Ohms
Weight Per Speaker .....	0.91kg (2lb) /Pc.

We follow a policy of advancements in development.  
For this reason specifications may be changed without notice.

### PARTS INCLUDED

	4.5m(15ft) .....	× 2
	φ4-30(3/16-1-3/16) .....	× 6
	.....	× 6

### PARTS LIST

\* New parts

Parts without parts No. are not supplied.

Ref No.	New Parts	Parts No.	Description
	*	B06-0441-08	GRILLE ASSY
		B46-0100-20	WARRANTY CARD
		E30-5058-08	CORD SET
		N99-1086-08	SCREW SET
	*	T15-0168-08	SPEAKER

Q.C.  
COPY